

S-350W



CASE:P16-8 215×115×50mm

terminal 9x9.5mm

L , N : AC



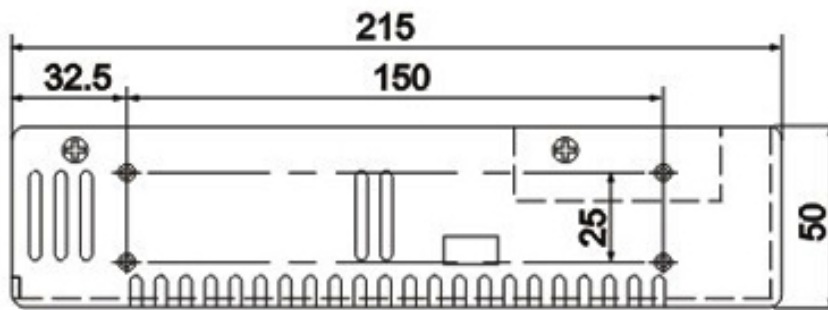
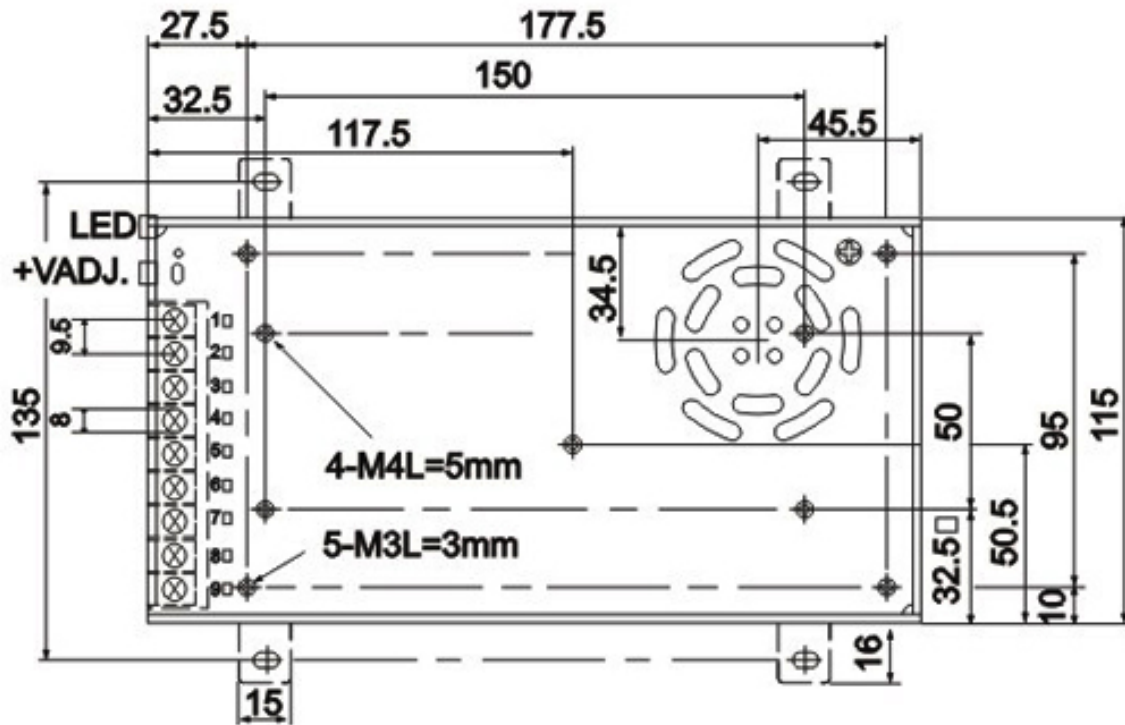
-V : DC

+V : DC

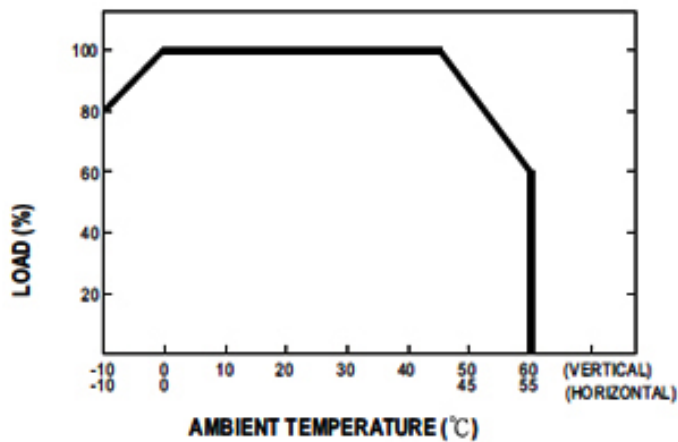
AC input voltage range	85-132VAC/170-264VAC 47-63Hz 240-370VDC
Input current	6.5A/115V 4A/230V
AC inrush current	Cold-start current 25A/115V 50A/230V
Leakage current	<3.5mA/240VAC
DC adjustable range	±10% rated output voltage
Over load protection	105-135% hiccup mode,auto-recovery
Over-voltage protection	115-135%
Setup rise hold up time	2000ms 50ms 20ms
Withstand voltage	I/P-O/P: 1.5KVAC 1minute I/P-FG: 1.5KVAC 1minute O/P-O/P: 0.5KVAC 1minute
Working temperature	-10 ~ +60 .20%-90% RH
Weight/packing	1.15kg.24pcs/27.6kg

type	Output	Error	Range	Efficiency
S-350-5	5V , 0-50A	±2%	150mV	73%
S-350-7.5	7.5V , 0-40A	±2%	150mV	76%
S-350-12	12V , 0-29A	±1%	150mV	74%
S-350-13.5	13.5V , 0-25.8A	±1%	150mV	79%
S-350-15	15V , 0-23.2A	±1%	150mV	78%
S-350-24	24V , 0-14.6A	±1%	150mV	81%
S-350-27	27V , 0-13A	±1%	200mV	82%
S-350-48	48V , 0-7.3A	±1%	240mV	83%

Mechanical Specification



Derating Curve



Static Characteristics (24V)

